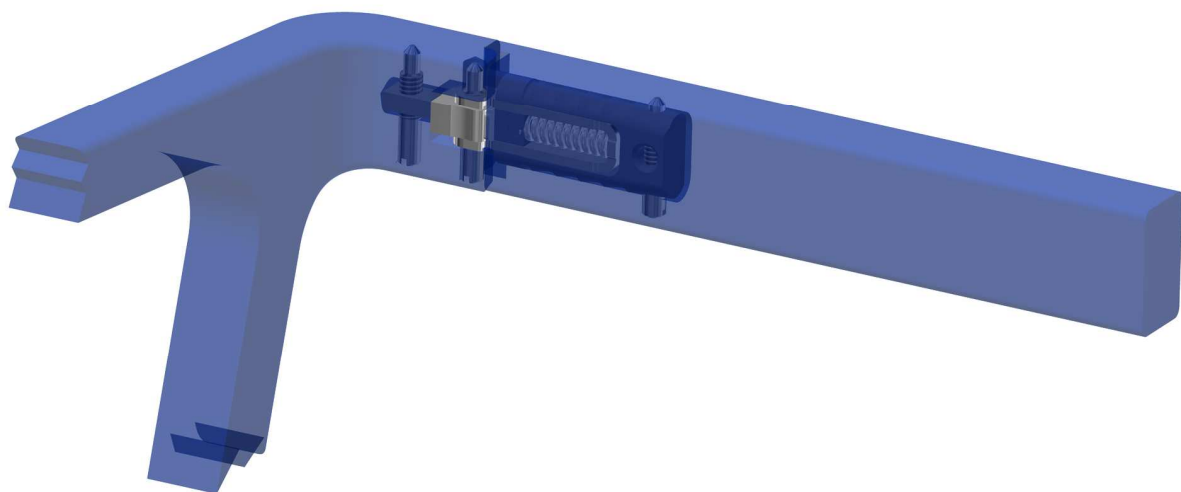


ShuttleFlex

CARBON

The hidden flex hinge



ShuttleFlex

CARBON

60-64050

ShuttleFlex is OBE's spring hinge for all kind of materials. The three piece pre-assembled construction is made from a carrier out of carbon in combination with the proven zero rocking flexUno elements. The carbon carrier can be fixed either with one screw or glue.

- High tech Carbon carrier
- flexUno zero rocking technology
- 3 piece construction
- Strong stainless steel mechanism



Choose the material for temple



Acetate



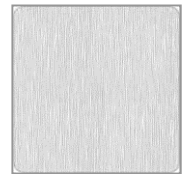
Wood



Horn

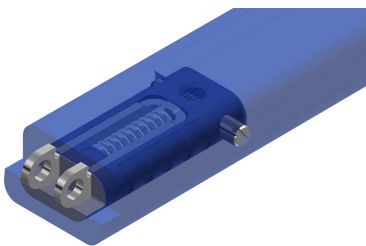


Titanium

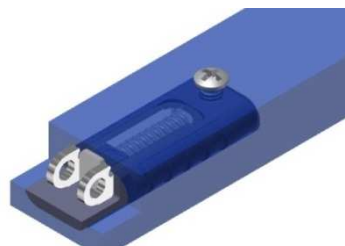


Aluminum

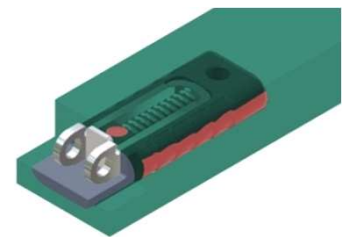
Connection to temple



Assembly with screw on side

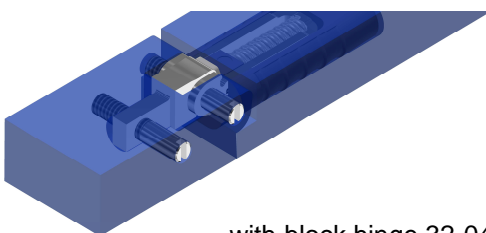


Assembly with screw on top

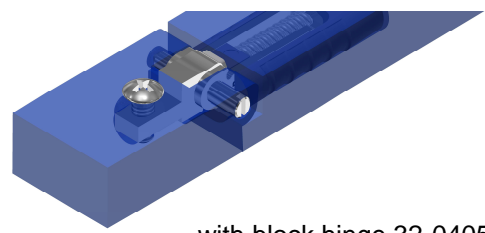


Assembly with glue

Hidden look on front side with block hinge



with block hinge 32-04051



with block hinge 32-04052

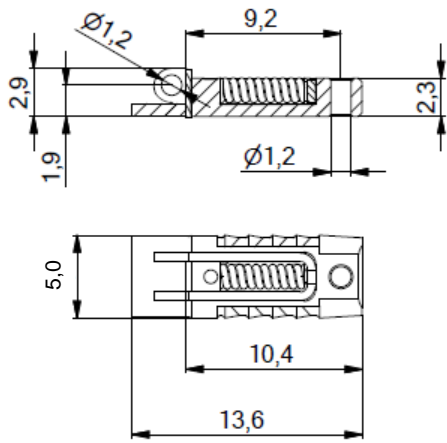
ShuttleFlex

CARBON

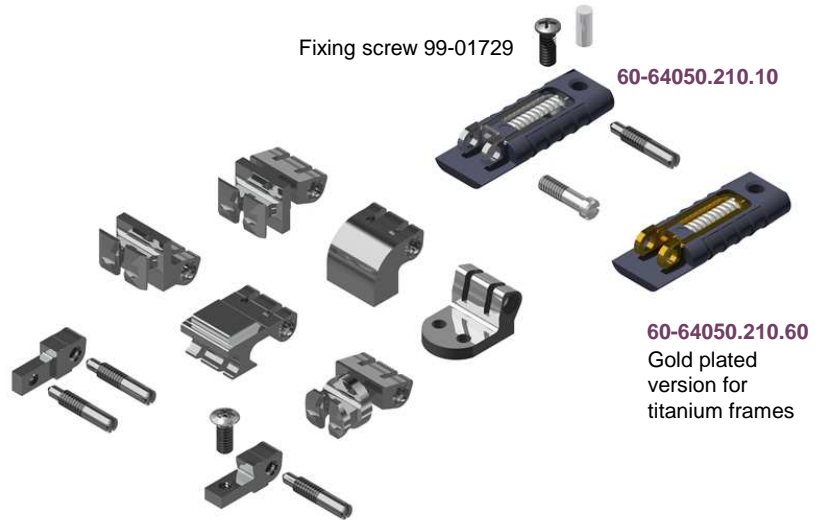
60-64050.210.10

+

99-01729



Patent pending

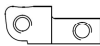


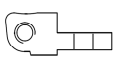





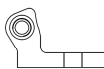



Fixing screw 99-01729

60-64050.210.10

60-64050.210.60
Gold plated
version for
titanium frames

Matching parts

Front hinges	Art. No.	Hinge screw	Fixation to front
Block hinges	 32-04051		screwing with 99-00064 
	 32-04052		screwing with 99-01753 
Front hinges for plastic frames 90°	 33-04061 33-04071 round foot 33-04261 off center		inserting
Front hinges for plastic frames 180°	 33-04161		inserting
Step hinges	 52-04161		soldering
Rivet hinges	 51-05061		riveting with 11-20245  11-20246 11-20247

